



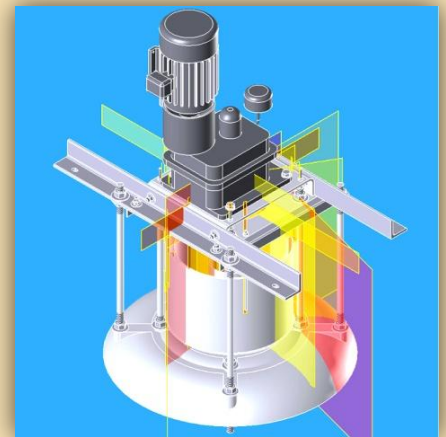
# IKONA

Drafting Services

[IKONAdrafting.com](http://IKONAdrafting.com)

*"Attacking each project with drive and determination to provide our clients with excellent customer service and a high-quality end-product."*

## Information Package



## Attention to Detail is Paramount

IKONA Drafting is a multi-discipline drafting services company. We work with a myriad of customers and apply our experience and resources to help any and all clients. We facilitate any static idea by conveying the idea with drawings, models, renderings or any type of visual aid necessary.

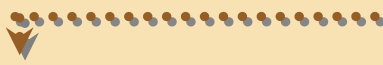
IKONA offers unparalleled quality and service while remaining flexible to meet the individual needs of every client.



Canadian Institute of Steel Construction



American Institute of Steel Construction



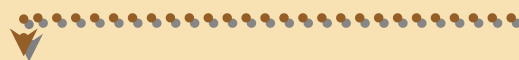
## WHO IS IKONA?

**IKONA Drafting** is a progressive, detail oriented company utilizing the latest software tools to help produce accurate and eye-pleasing design drawings that we'll ultimately be proud to add our name to. We presently specialize in shop fabrication drawings for the Industrial, Commercial, Architectural, Mill, Mining and Pollution Control segments of their respective industries. However, we are moving towards an expanded reach of further disciplines.



## OUR MISSION

The **IKONA Drafting** mission is to produce a quality end-product in a timely manner within a positive, progressive, rewarding, rich environment for our employees and clients.



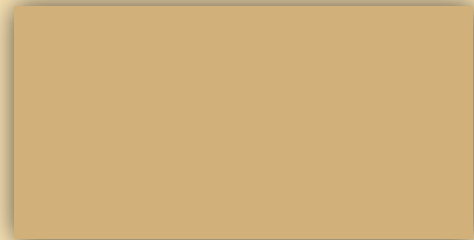
## OUR VISION

The **IKONA Drafting** vision is to provide an optimistic environment. We will work to promote positive growth and offer training that exceeds the expectations of our employees. This positive outlook for the future will be reflected in our work and our clients' own expectations will be exceeded in every aspect of their association with **IKONA Drafting**.



## SOFTWARE

**IKONA** provides its employees with the experience necessary to excel in whatever software they will be required to utilize. We provide our team the latest technologies to successfully complete all project aspects as determined by project requirements and/or clients' expectations. Currently used are both 2-D and 3-D platforms such as Tekla Structures, AutoCad, Mechanical Desktop, Inventor, Microsoft Office products and more.

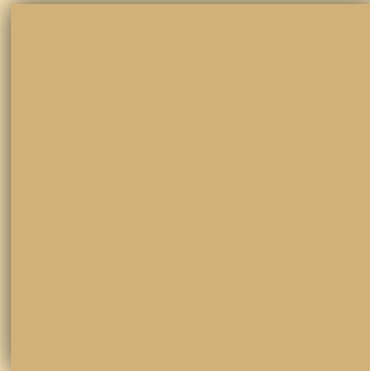
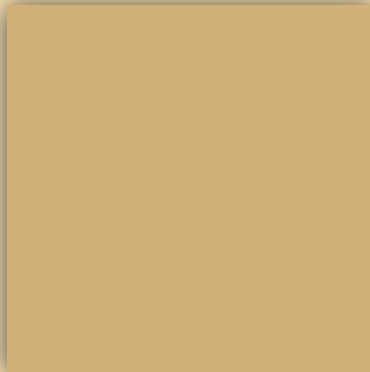


# SERVICES WE PROVIDE

**IKONA Drafting** has a full-service drafting office that provides a diverse and comprehensive menu of services. These services extend far beyond the traditional paper drawings of years past. We have the full ability to turn any idea, pencil sketch or concept rendering into reality. We are customer focused and strive to create loyalty through the pursuit of continuous improvement and innovation.

One **Project Coordinator** is assigned and dedicated to your project and all correspondence will filter through that one person. This reduces the chance of error or duplication, facilitating a more efficient project.

We have our own **File Transfer Protocol (FTP)** site for secure transmission of files through the internet.



## Shop Detailing

**IKONA** has adopted the platform **Tekla Structures**, a Building Information Modeling (BIM) software, to facilitate the exchange and visualization of building information in digital 3D format ensuring integrated project delivery between all building disciplines. We have implemented our own systems and procedures to ensure accuracy and integrity of the model. Our strict attention to drawing quality and accuracy reduces confusion in the workshop and keeps projects cost-effective and on schedule.

- 3D Modeling
- Anchor Bolt Setting Plans
- Erection Drawings
- Assembly Drawings
- Part Drawings
- DXF for Plate Work
- CNC/DSTV
- Specialized Reports
- Advance B.O.M.
- Bolt Lists

## Mechanical/Industrial

**IKONA's Mechanical Division** offers high-precision Mechanical 3D Modeling Services to enable product visualization, preview structures or prototypes, and expand audience's inventive aptitude. Using cutting edge technology, we transform the ideas, rough sketches, specifications and instructions from Mechanical Engineers into detailed working drawings. Through this process, complete sets of precise, technical drawings are developed for conceptual layout, product design, component design, machine assembly design, and reverse engineering products.

## Phase Scanning

The **Geoinformatics Division** utilizes high-speed, non-contact 3D laser technology to produce incredibly detailed three-dimensional images of complex environments and geometries. Simply put, the laser scanning technology creates a precise, virtual copy of reality in millimeter-accuracy. The resulting 3D image is a collaboration of millions of 3D measurements providing an accurate digital documentation of as-built conditions, ultimately recreating the real world and defining it within a virtual space. The resulting scan data can be shared with a multitude of software applications suitable for project analysis and modeling. Real world applications include;

- Accident Reconstruction
- As-Built Documentation
- Crime Scene & Forensic
- Power & Process
- Surveying
- Tunnel & Mining

IKONA Drafting is a relatively young company. This gives us flexibility to help meet our clients' growing needs.

With well over 30 years of combined experience, IKONA's team is ready to incorporate the knowledge gained into your design projects.

IKONA has a 2500 ft<sup>2</sup> office space in which to grow.



# *Attention to Detail is Paramount* IKONA Drafting Services Inc.

## **Leadership Team**

### **Jay Chaykowski**

General Manager

Email: [jay@ikonadrafting.com](mailto:jay@ikonadrafting.com)

Cell.: (306) 591-7100

### **Blake Beaudin, A.Sc.T.**

Office Manager

Email: [blake@ikonadrafting.com](mailto:blake@ikonadrafting.com)

Cell.: (306) 536-8259

Phone: (306) 522-2650

Fax: (306) 522-2651

## **Mailing / Office Address**

1125 Pettigrew Avenue  
Regina, Saskatchewan  
CANADA  
S4N 5W1

## **Online**

<http://www.ikonadrafting.com>



Canadian Institute of Steel Construction



American Institute of Steel Construction